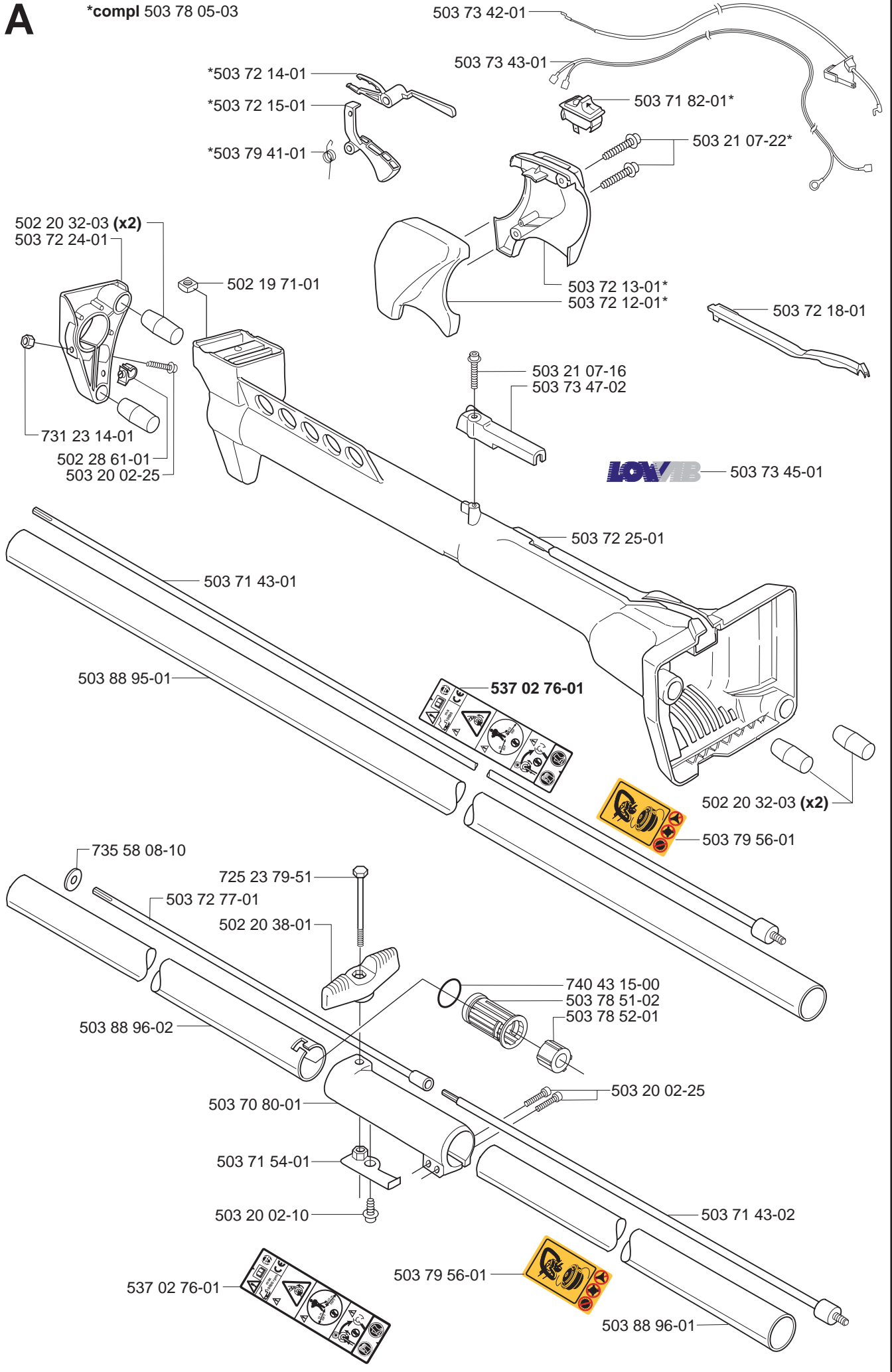


A

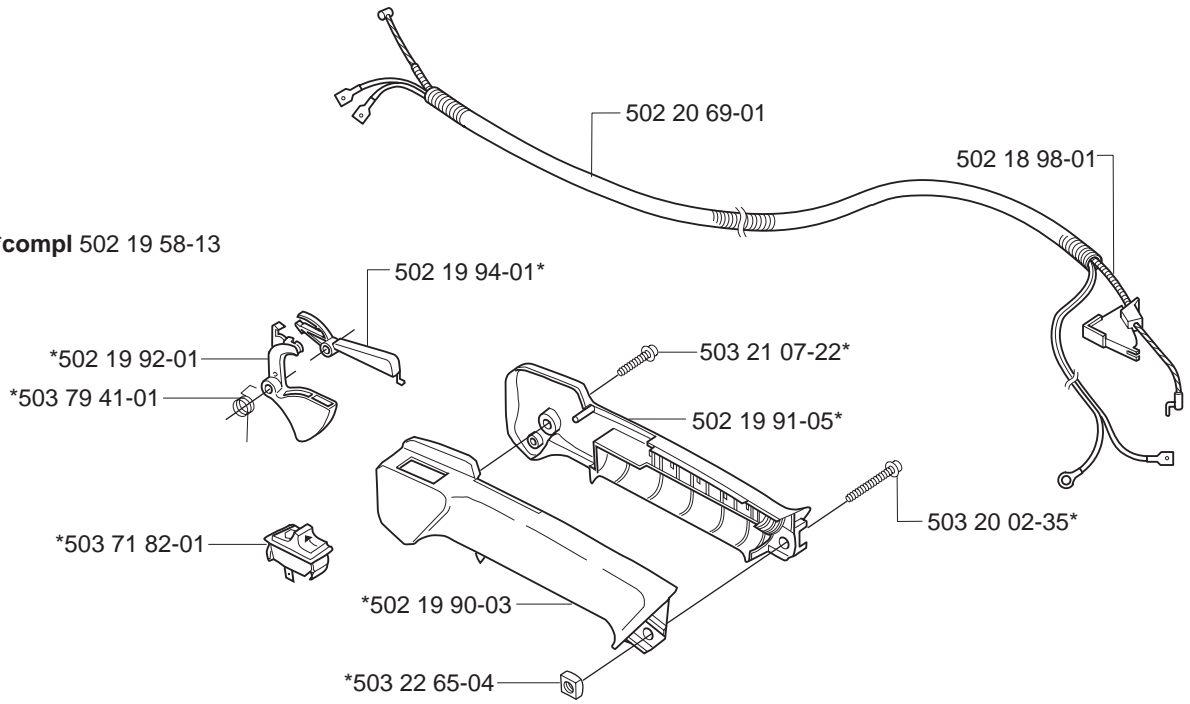
*compl 503 78 05-03



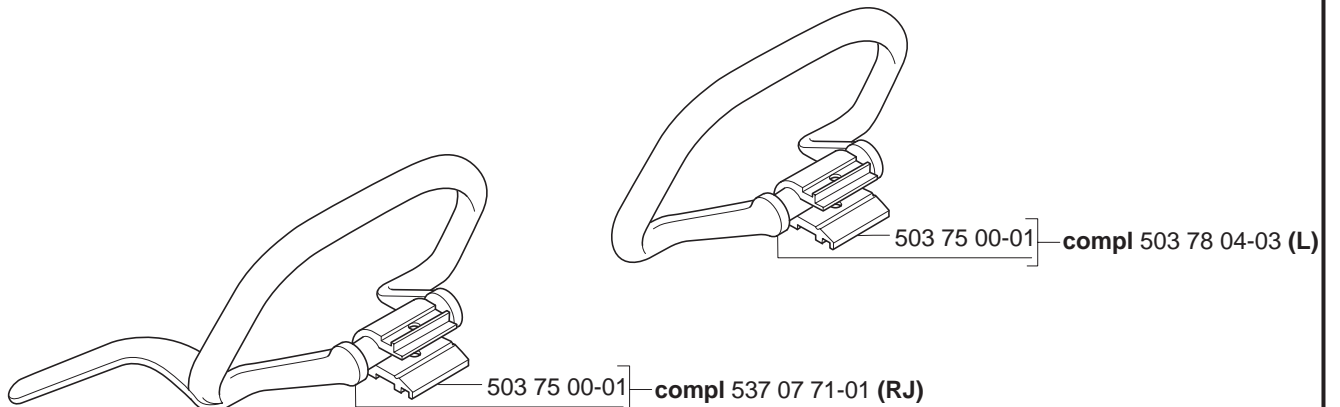
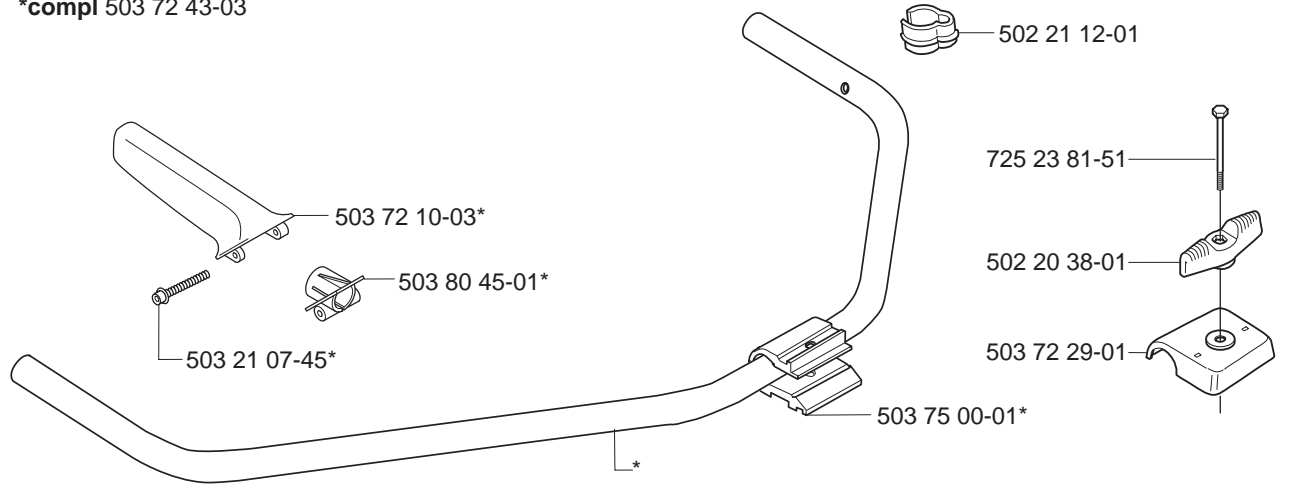
B

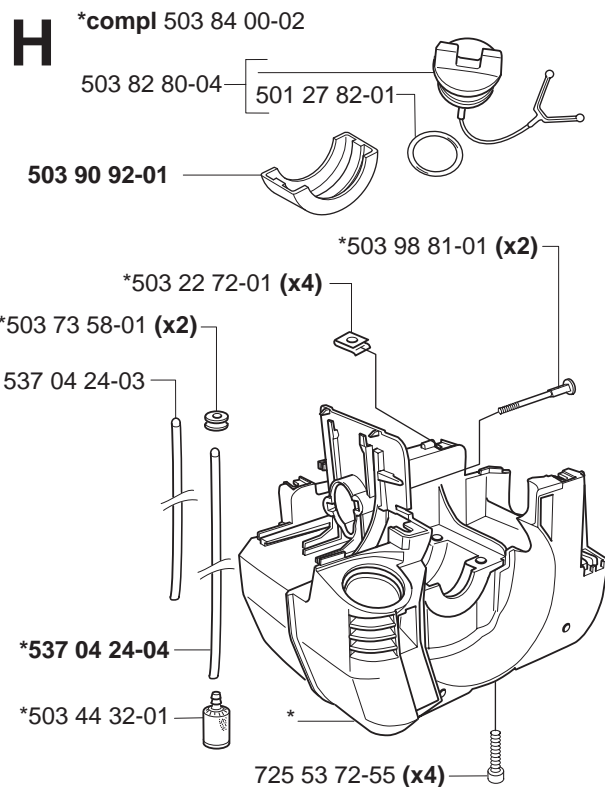
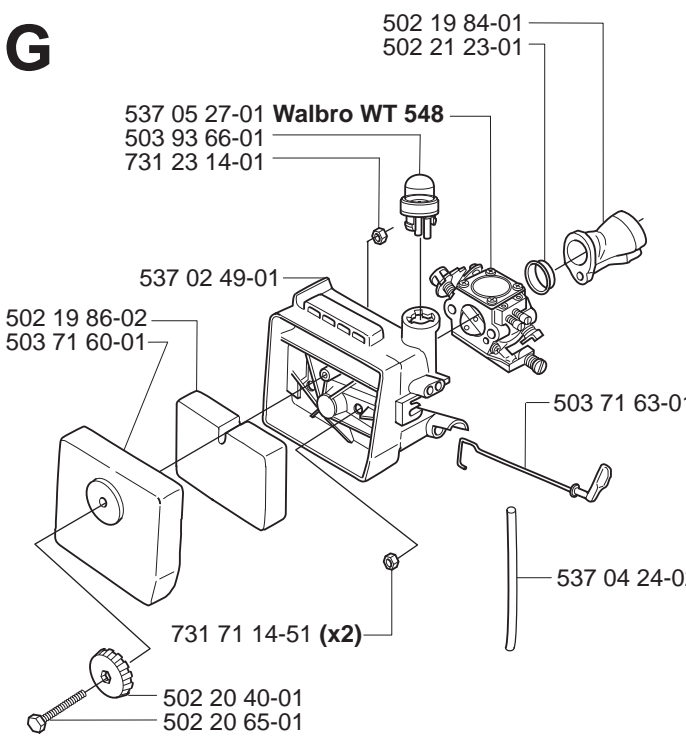
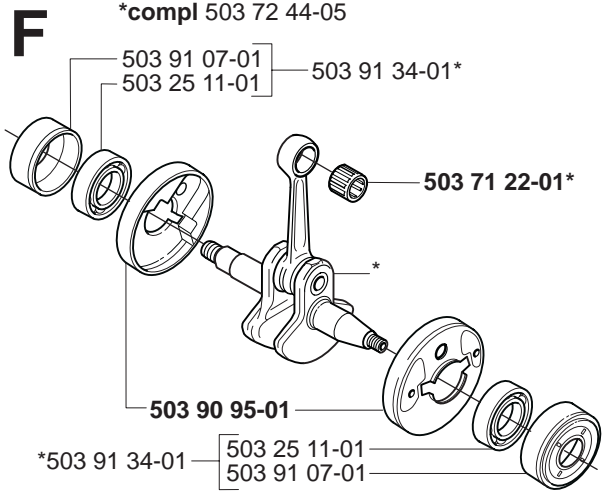
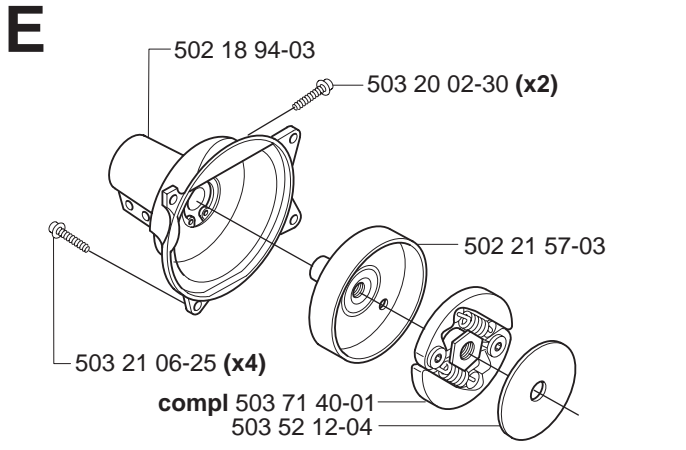
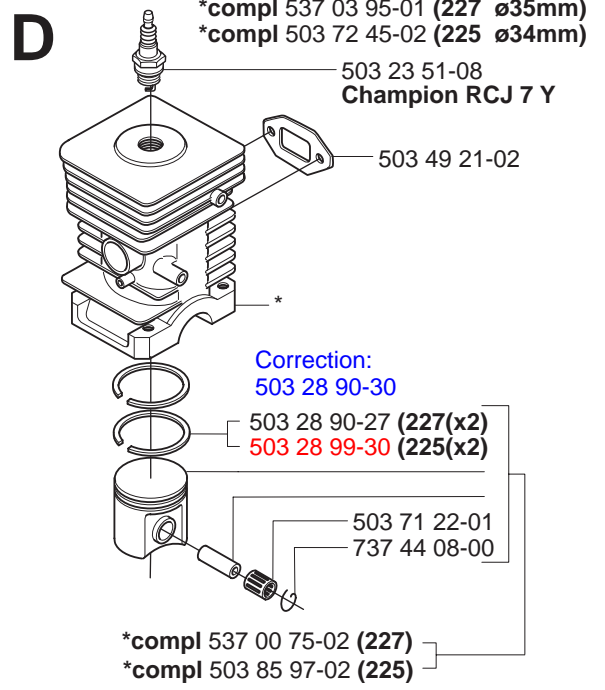
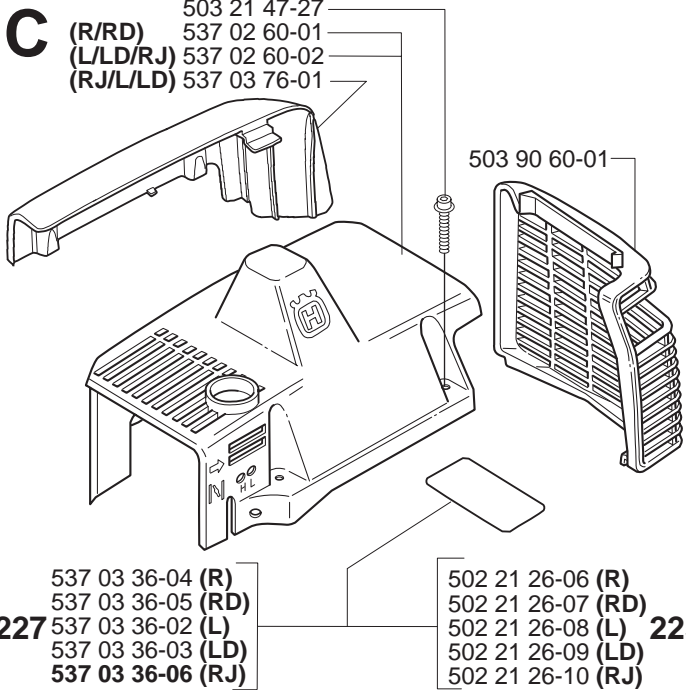
*compl 502 19 58-03
**compl 503 72 43-03

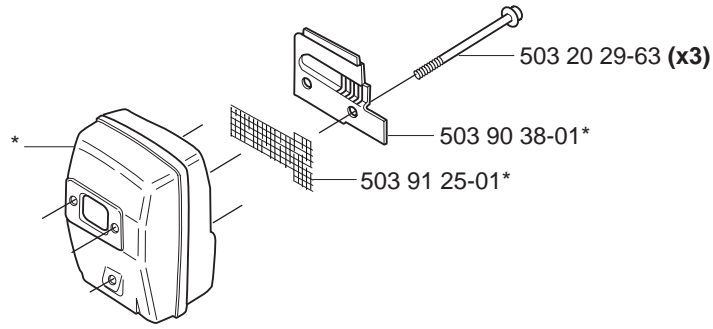
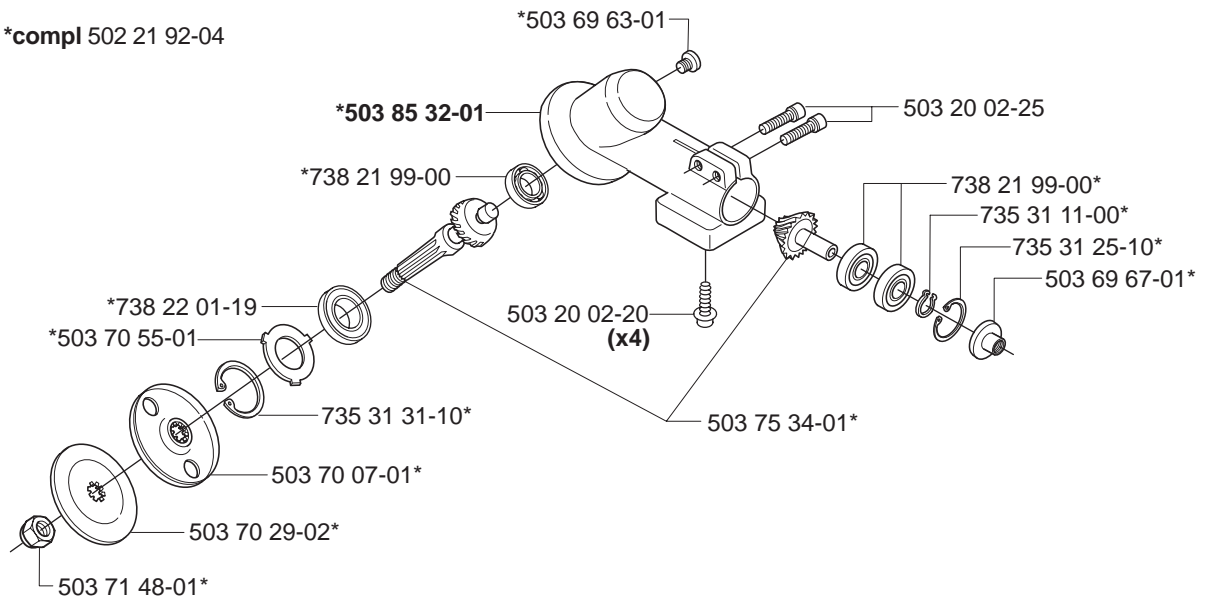
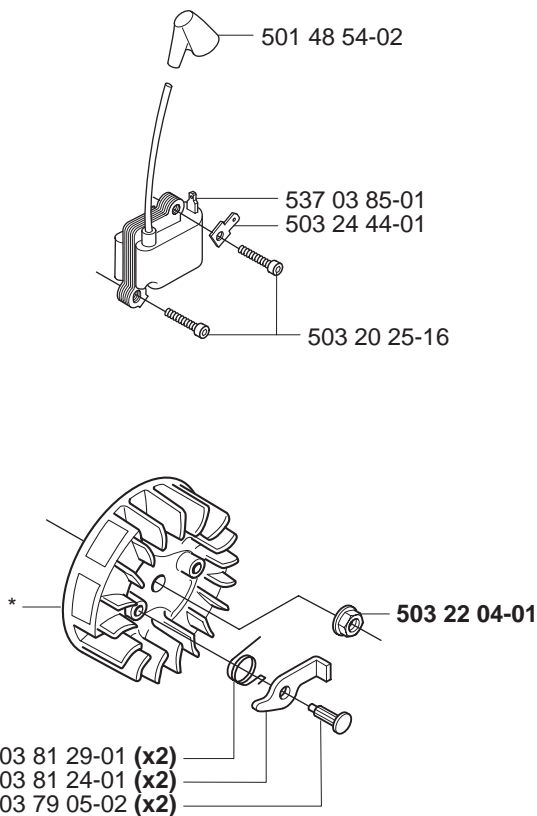
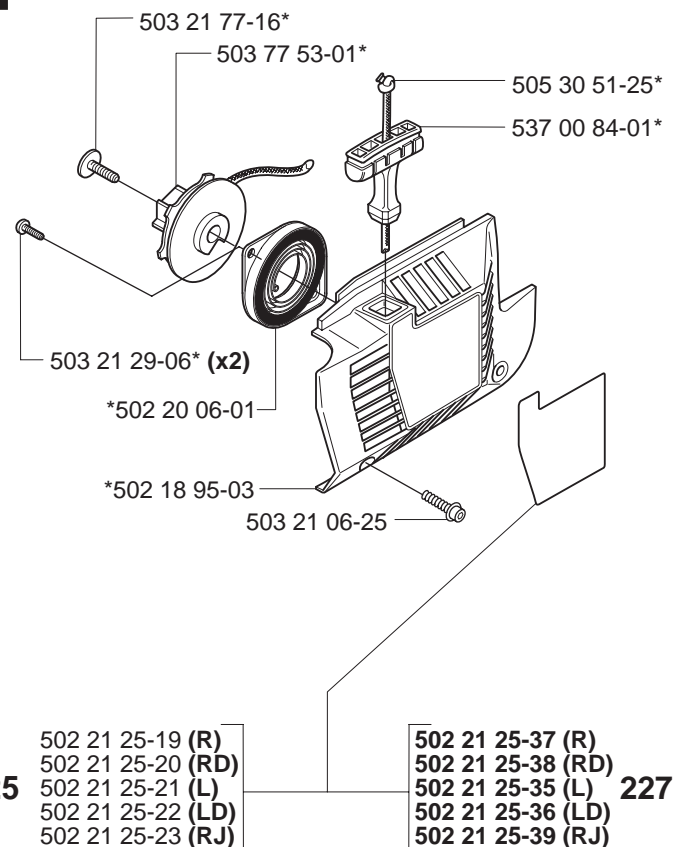
*compl 502 19 58-13



*compl 503 72 43-03

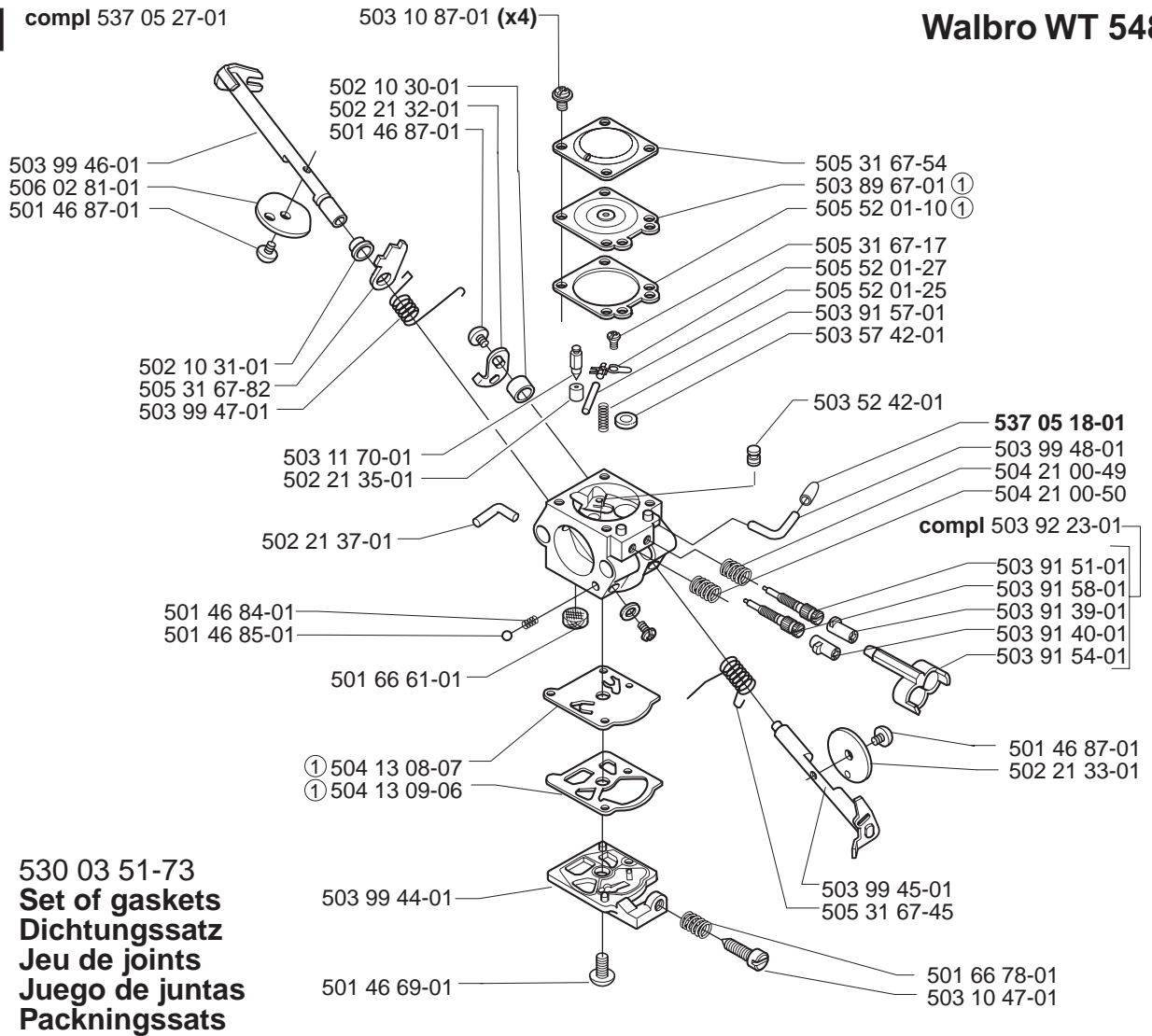




J***compl 503 90 40-03****K*****compl 502 21 92-04****L*****compl 503 79 06-01****M*****compl 502 18 95-02****225****227**

N compl 537 05 27-01

Walbro WT 548



① **530 03 51-73**
Set of gaskets
Dichtungssatz
Jeu de joints
Juego de juntas
Packningsatts

P **Accessories**
Zubehöre
Accessoires
Acessorios
Tillbehör

*compl 502 21 60-01

compl 503 73 63-03
compl 503 73 63-04 (USA)

